

[mod. 120-T]

Thermoprinting and reactivation of direct-to-textile inks



GB >>

Innovative and versatile printing calender (movable on wheels) suitable for both the transfer of dye sublimation inks from paper to materials to be printed, and for the reactivation of inks directly printed on textile by means of plotters.

It is supplied complete with front preparation table, allowing the transfer/reactivation of both rolls and materials in piece.

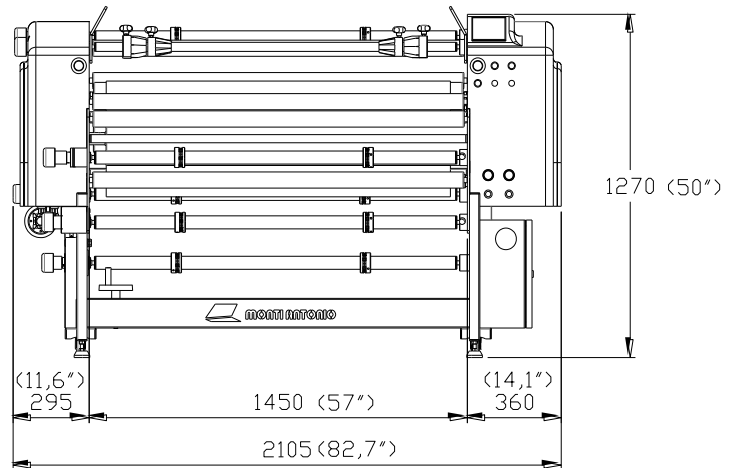
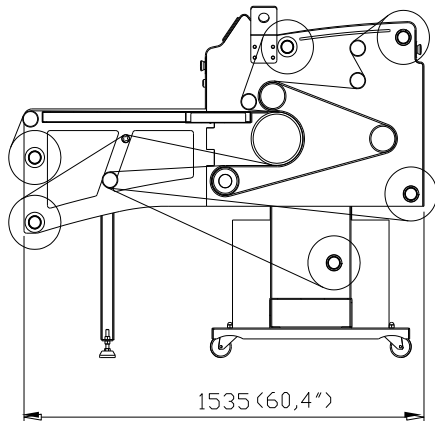
中文 >>

創新和各式用途的滾筒轉印機（機器上附有輪子可方便移動），適合熱昇華轉印和直噴固色用。

具有捲對捲、片對片、捲對片多功能熱轉印機。



[Technical data]



Cylinder width / Tavola cilindro 滾筒寬度	mm.	1300 (51,1")
Working width / Tavola utile 工作寬度	mm.	1150 (45,2")
Mechanical speed / Velocità meccanica 轉印速度	mt./min.	0,1 ÷ 1,7
Installed electric power / Potenza elettrica installata 最大功率	Kw	7
Average consumption / Consumo medio 平均功率	Kw/h	5
Cylinder diameter / Diametro cilindro 滾筒直徑	mm.	200 (8")
Net weight / Peso netto 淨重	Kg.	640

THE DATA AND TECHNICAL FEATURES ARE PURELY INDICATIVE AND SUBJECT TO CHANGES WITHOUT NOTICE
I DATI E LE CARATTERISTICHE TECNICHE SONO PURAMENTE INDICATIVI E SOGGETTI A VARIAZIONI SENZA
OBBLIGO DI PREAVVISO.

台灣代理商:

 **WEI CHIH 威至有限公司**

24158 新北市三重區重新路五段639-3號7樓 (由661巷進入 金陵科技大樓)
7F, No.639-3, Sec. 5, Chongsin Rd., Sanchong Dist., New Taipei City 24158, Taiwan (R.O.C.)
TEL : 886-2-77306333 FAX : 886-2-29955928
www.weitechtw.com

member of  **ACIMIT**
ITALIAN TEXTILE
MACHINERY



Monti Antonio S.p.A.
Via dell'Elettronica n°5
36016 Thiene (VI) - Italy

Tel. +39 0445 364619
Fax. +39 0445 364033
sales@montiantonio.com
www.montiantonio.com

STANDARD & CUSTOM HEATING SOLUTIONS

